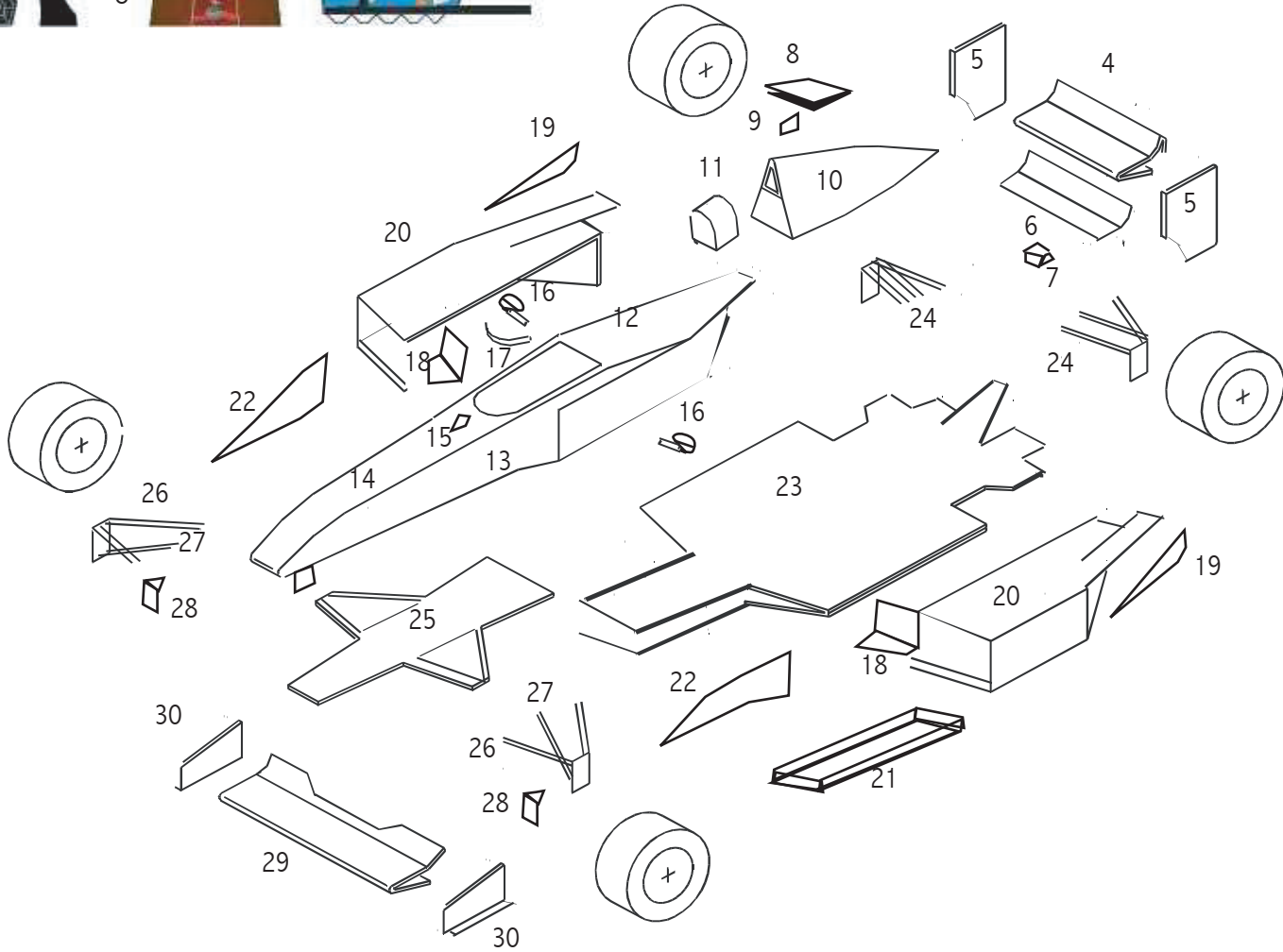
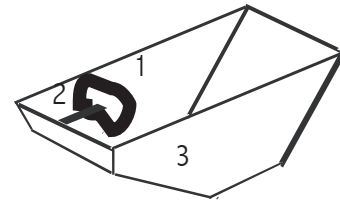


driver seat and steering wheel



rear flow extractor panel

